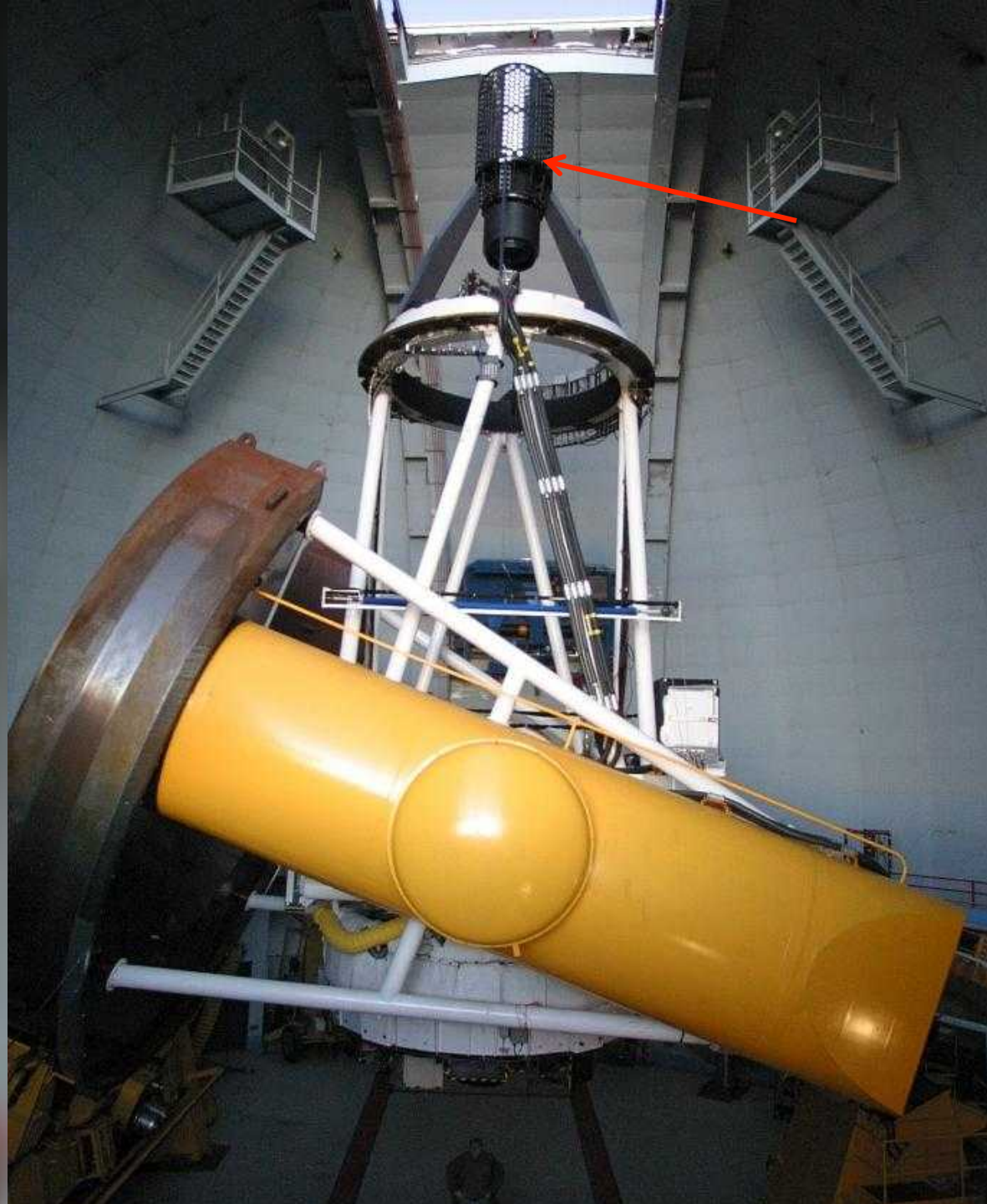




# MegaCam Filter Shuttle Modifications

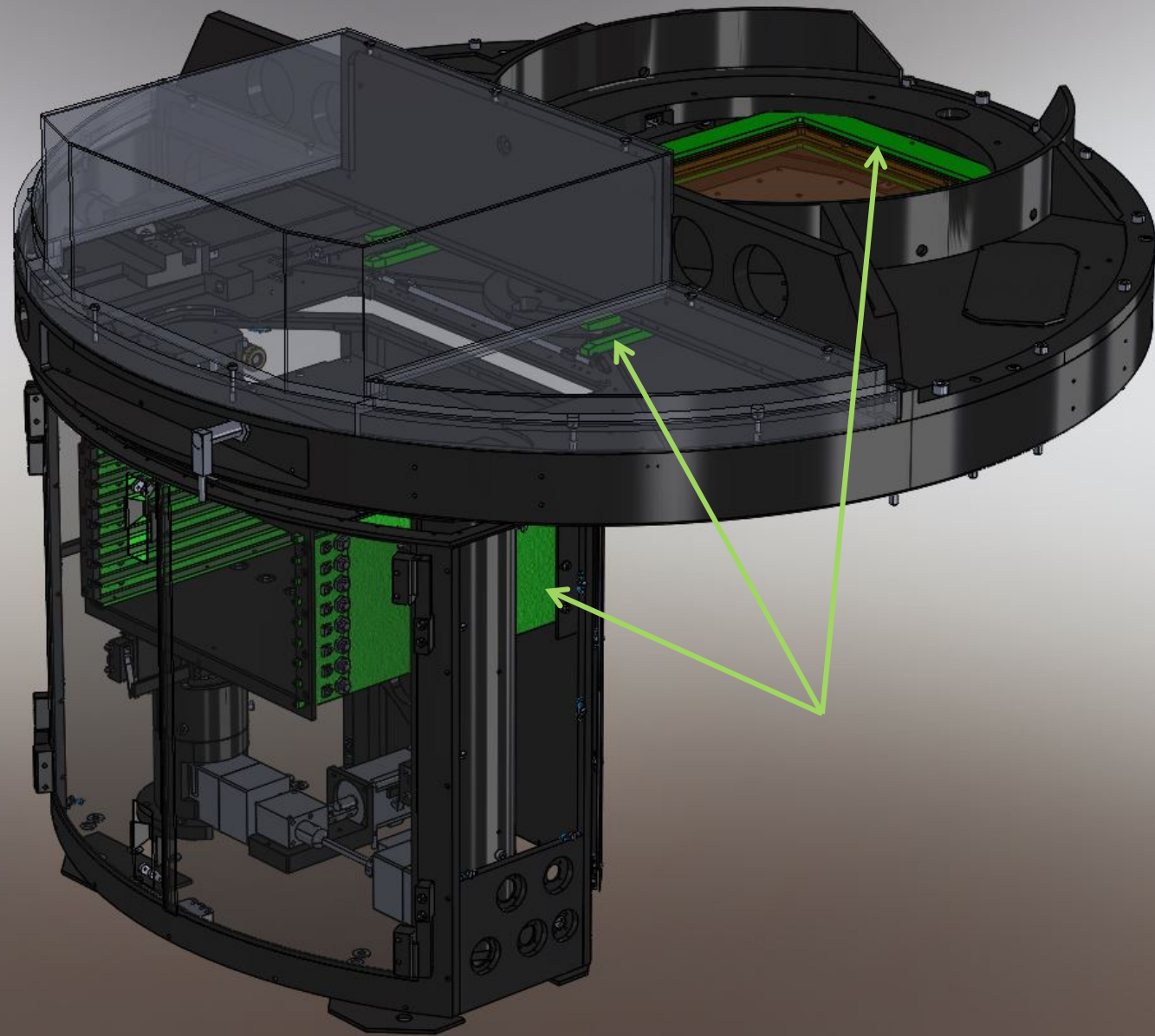
Greg Green – Instrument Designer/Machinist



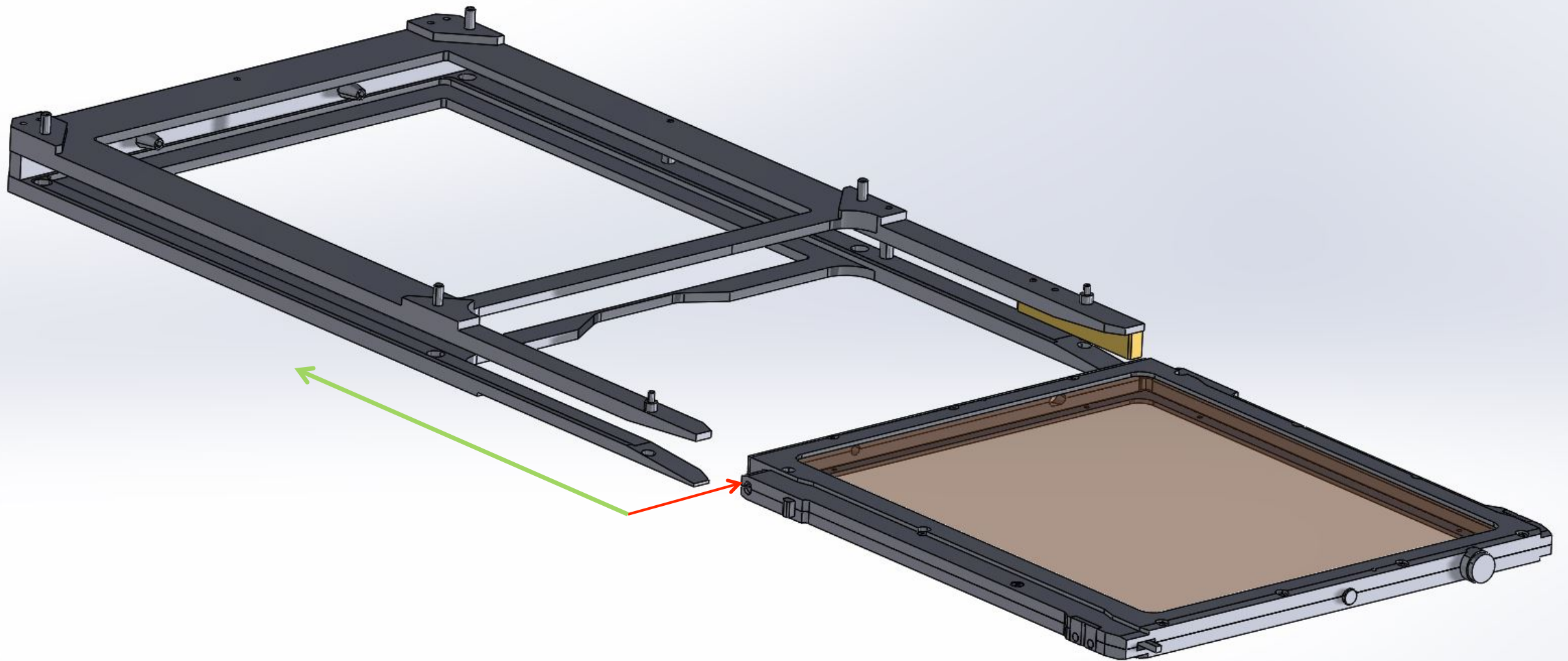








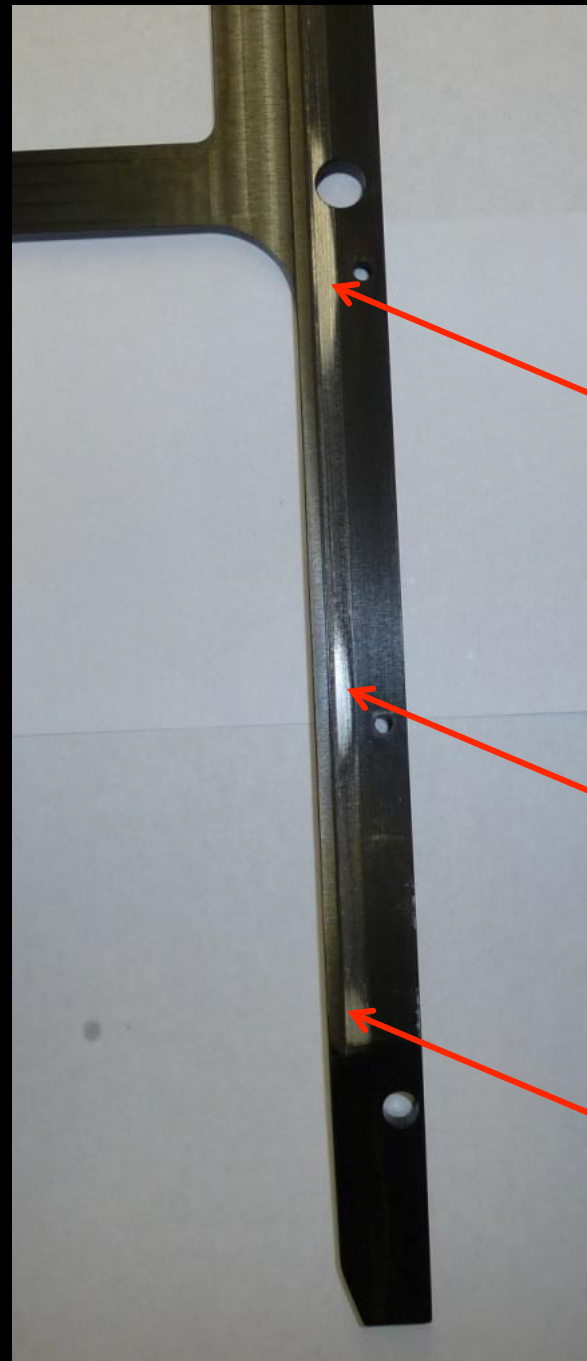
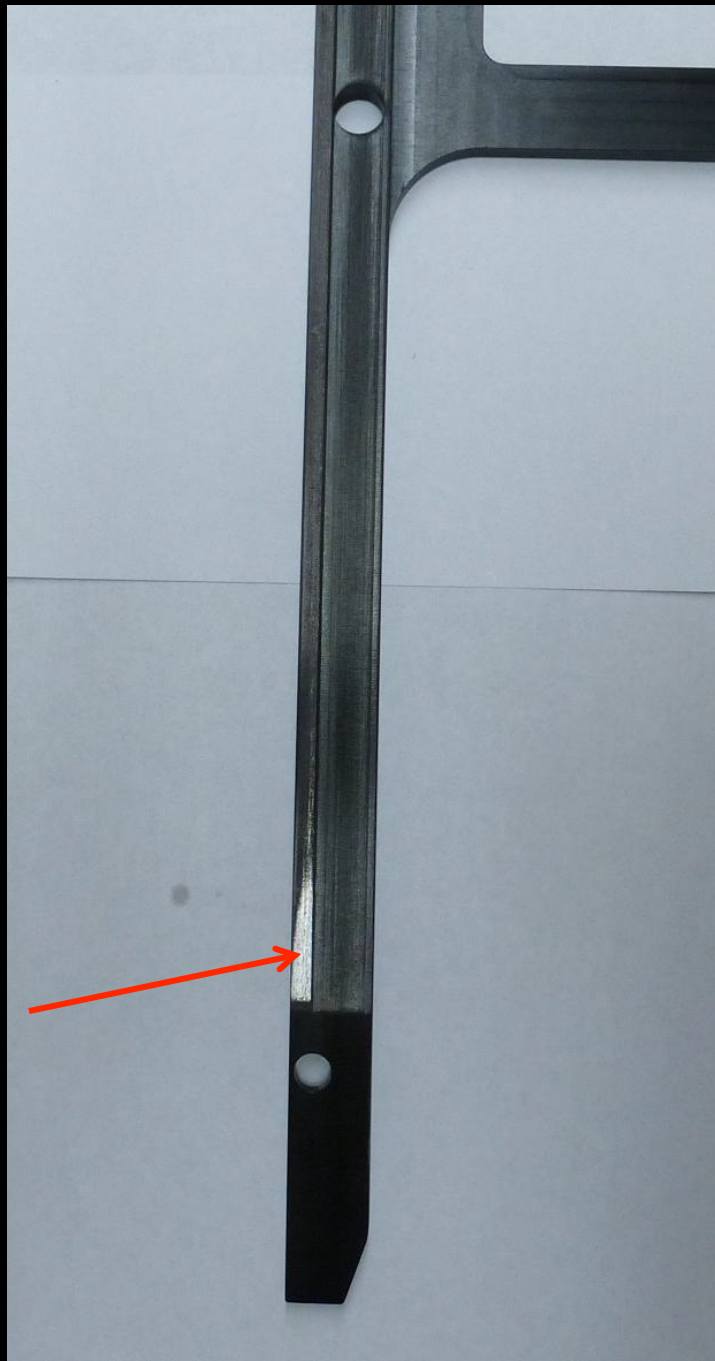




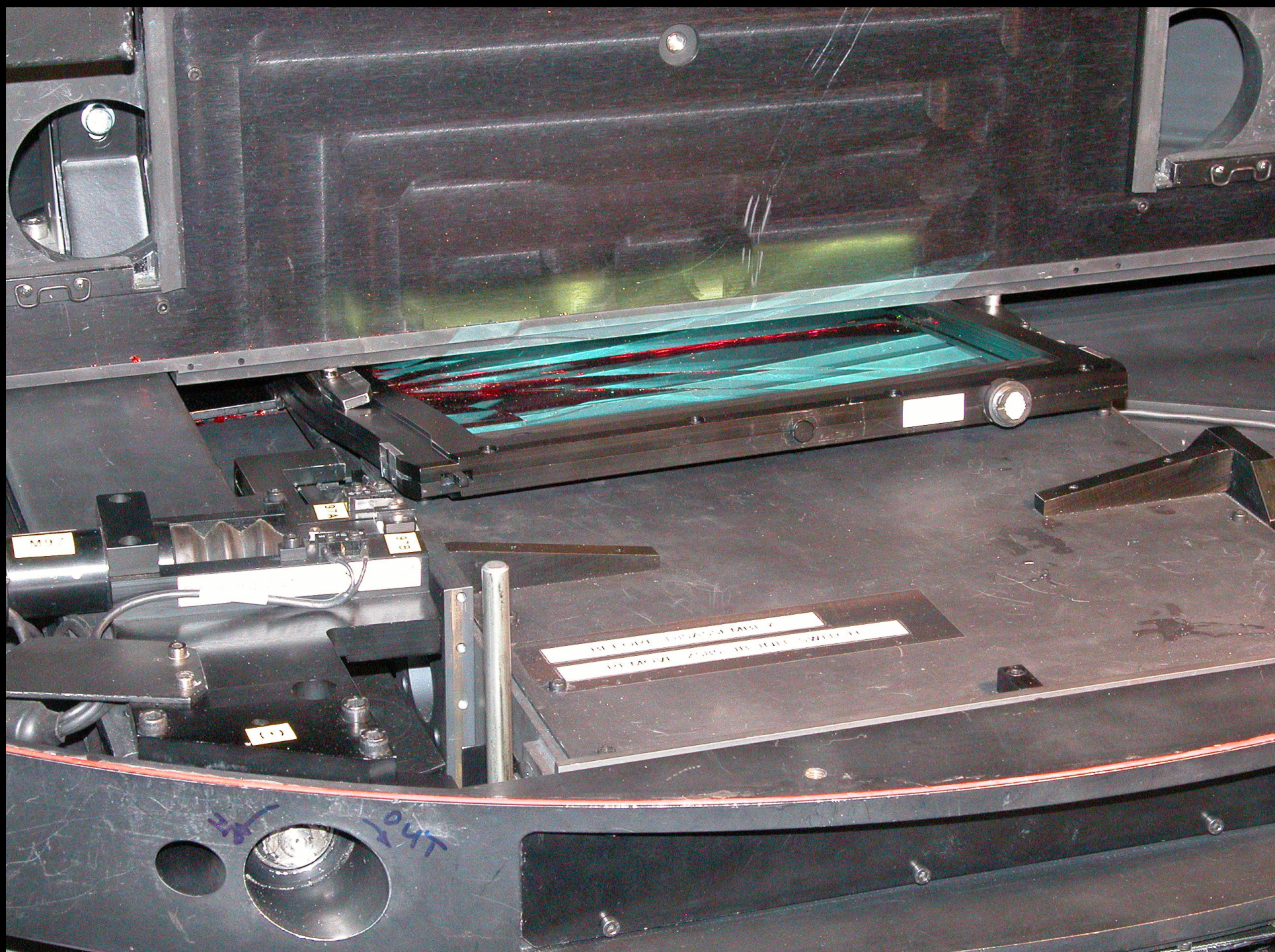




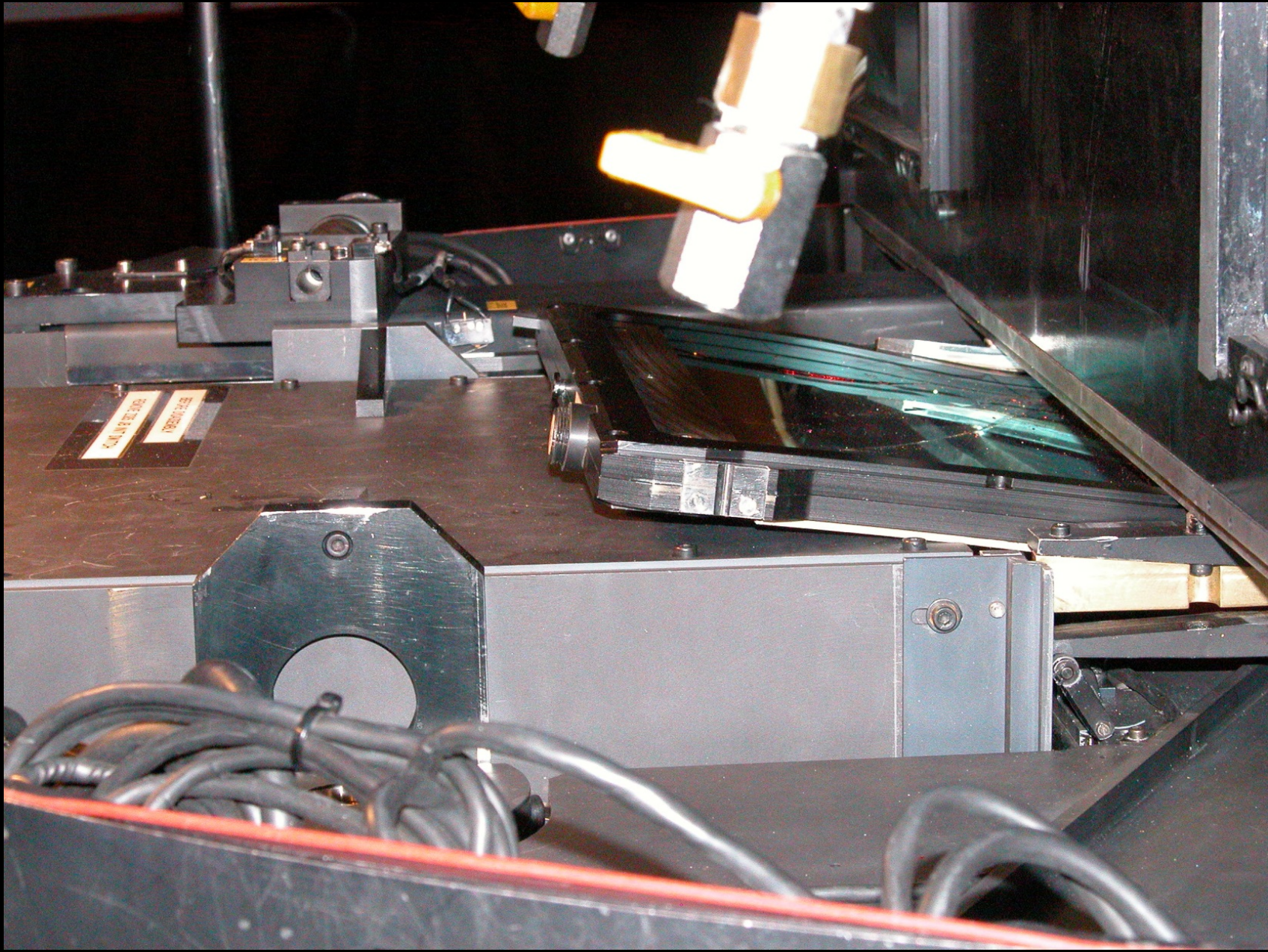




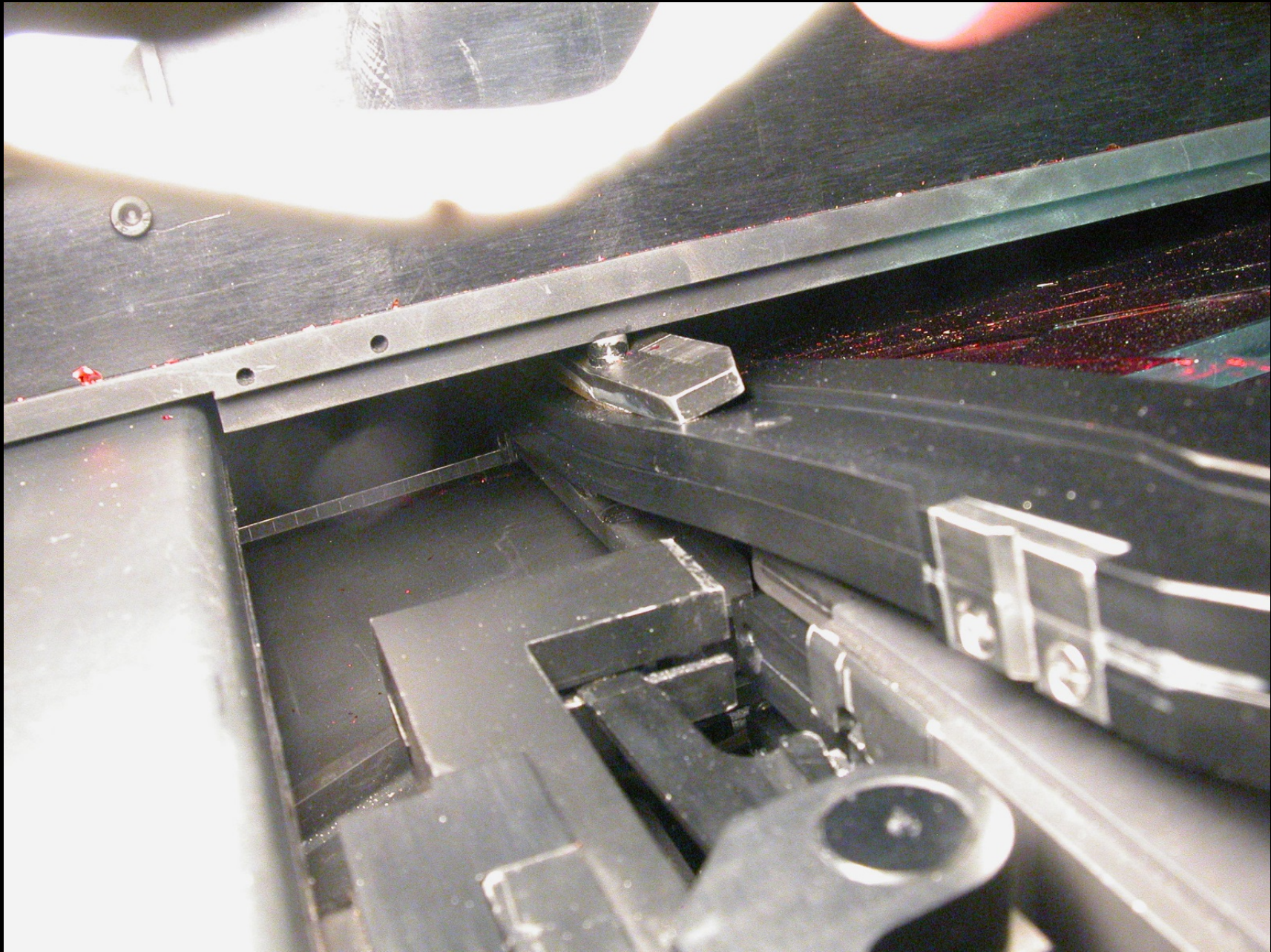






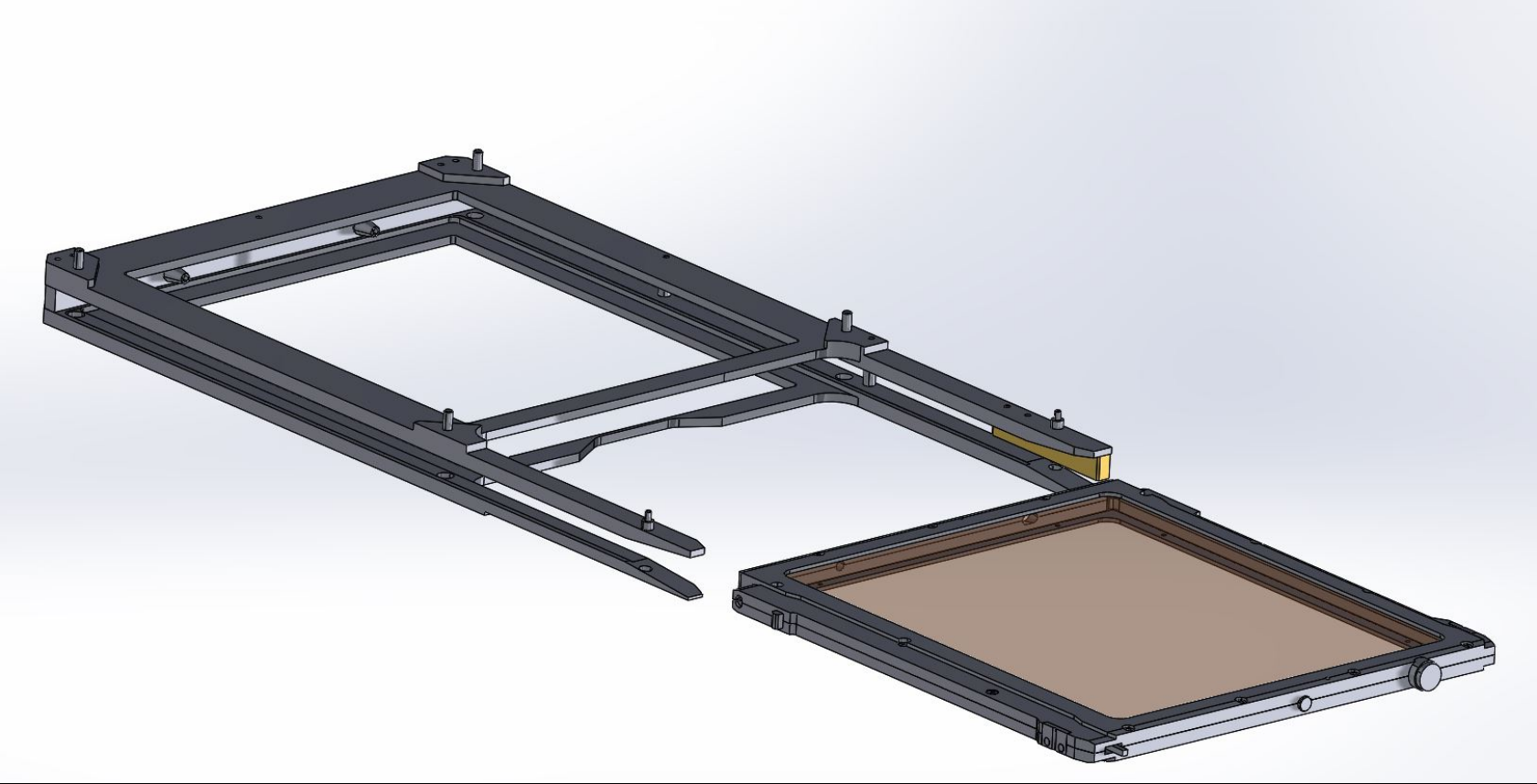




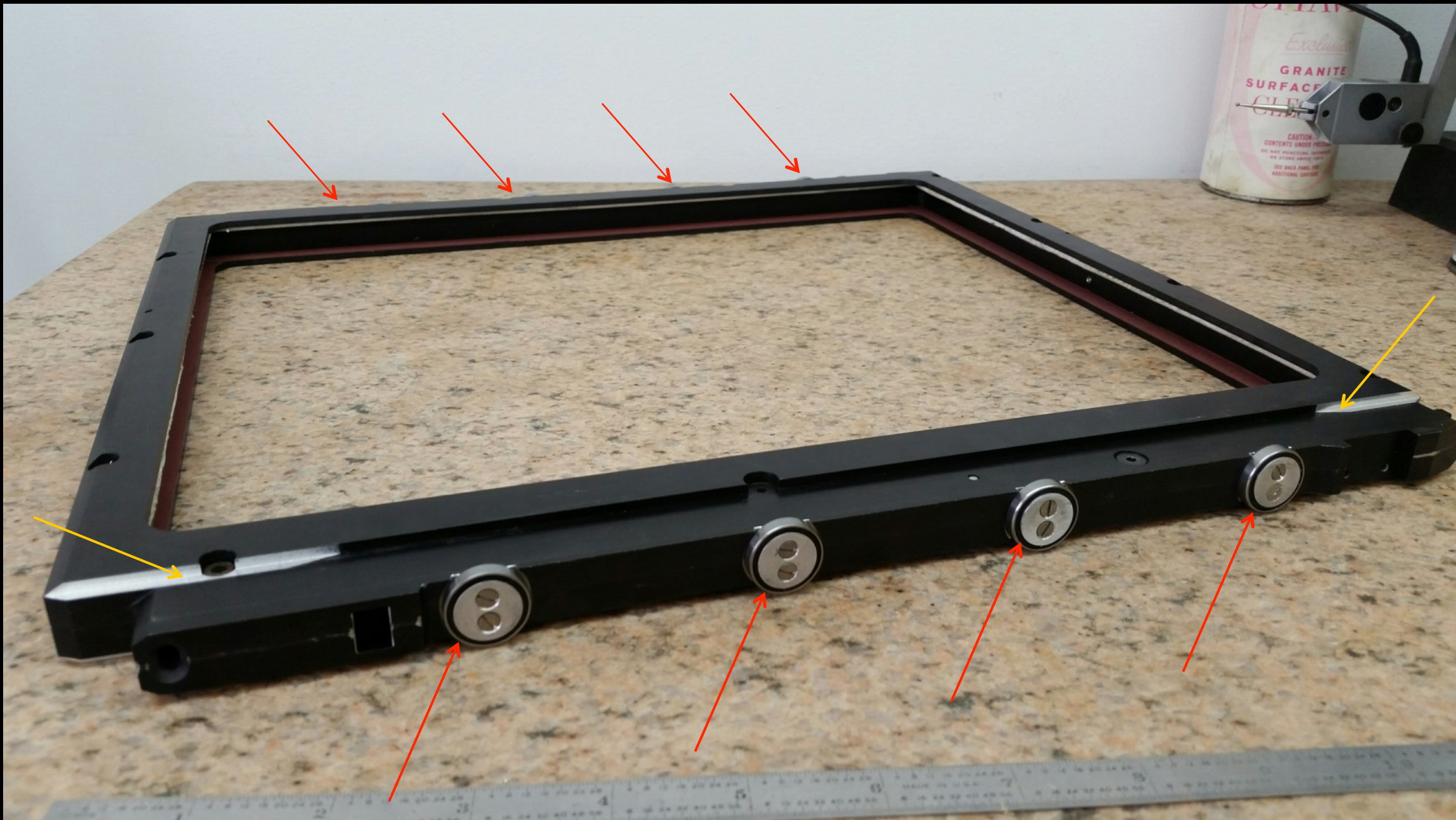




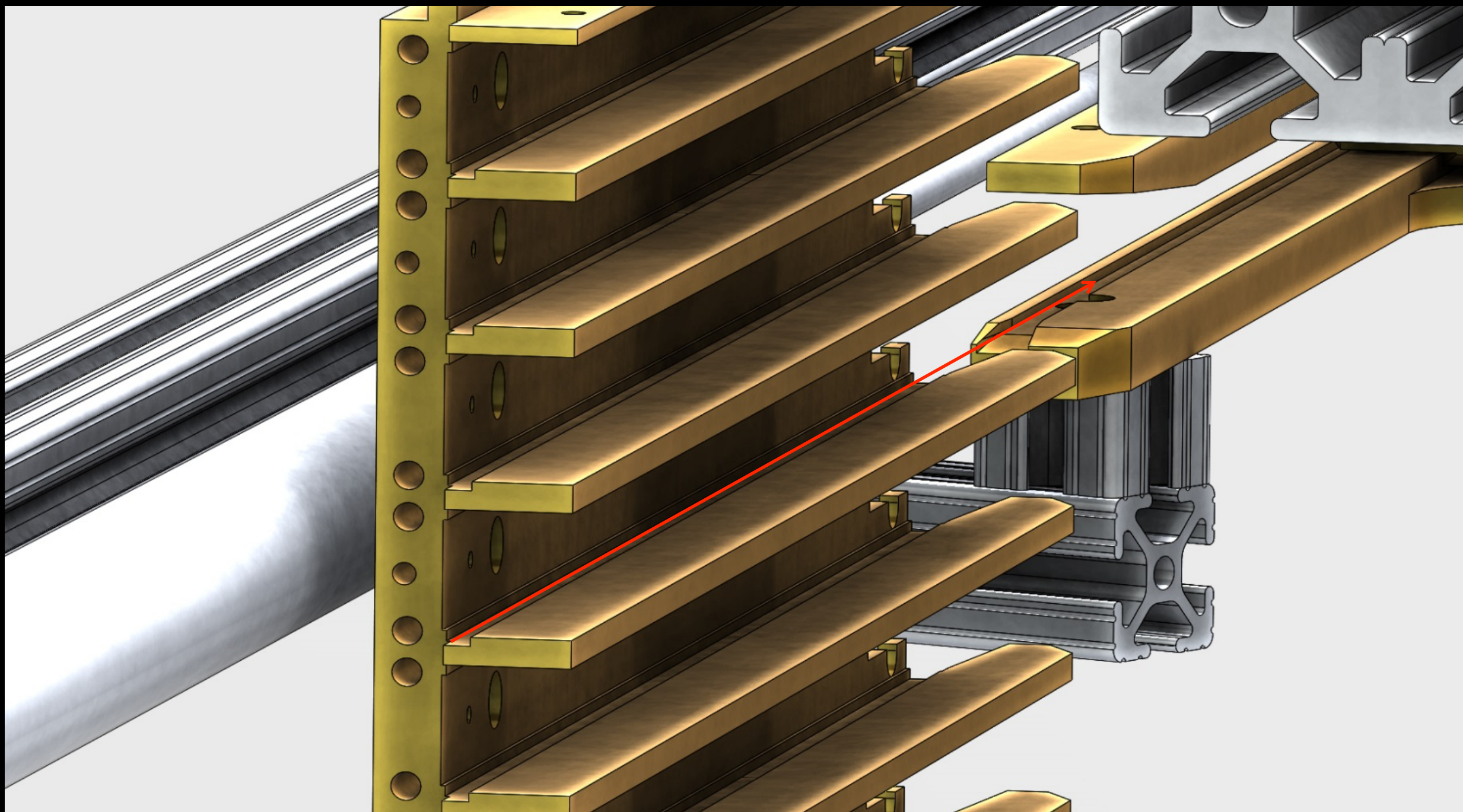




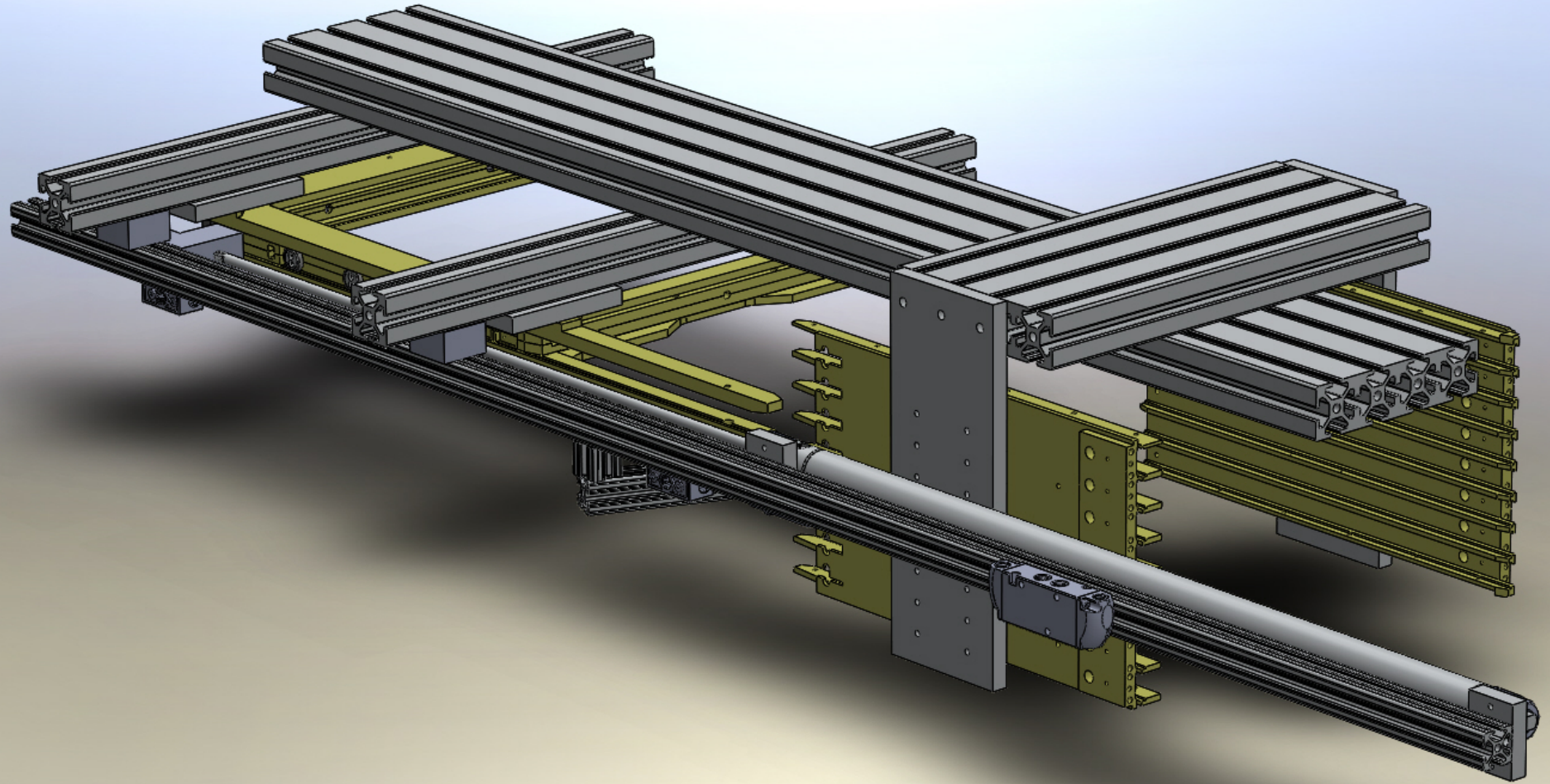






















- ✓ About \$100 in bearings.
- ✓ About \$200 in a simple test fixture.
- ✓ Quite a bit of thought and machining time.
- ✓ Problem solved with a solution the original engineers said "was not possible".



Thank you



